

STABILIZERS SERIES





RELAY TYPE

SUTB series (20kVA-50kVA)

PRODUCT FEATURES

The product of this model is a three phase compensation high-precision regulator, cabinet type with LED digital display design, compensated structure voltage regulation. It is mainly composed of voltage regulation transformer and compensation transformer and characterized by sufficient power, can achieve relatively large power and maintain high-precision output.

APPLICATION

It is widely used in industrial and mining enterprises, printing, machine tools, post and telecommunications, railways, construction sites, schools, hospitals, hotels, defense, scientific research and other departments of electronic computers, precision machine tools, precision instruments, experimental devices, Elevators and production lines all places where voltage stability is required.

PRODUCTS SPECIFICATION

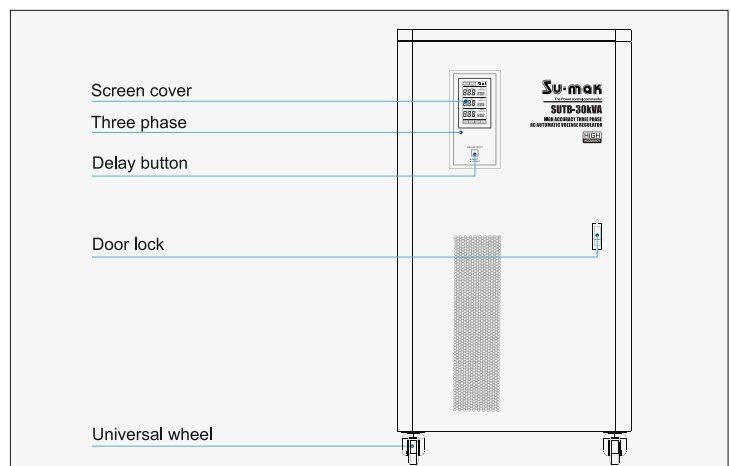


THREE PHASE

MODEL	SUTB (20kVA-50kVA)					
INPUT VOLTAGE	AC 225V-456V					
OUTPUT VOLTAGE	AC 380V±1~3% 50/60Hz					
DELAY TIME	Short Delay:3-5sec					
PROTECTION	Over Voltage,Overload,High Temperature,Short Circuit					
POWER	20kVA	30kVA	40kVA	50kVA		
PRODUCT SIZE(CM)	48.5x49.5x100	59.5x49x111	75x63x136			
PACKING SIZE(CM)	55.5x55x103	66x55.5x134	84.5x72.5x144			
PCS/CARTON	1	1	1	1	1	1
N.W.(KGS)	86	108.5	125	170	190	196
G.W.(KGS)	94	116.5	135	183	203	209



FUNCTION DISPLAY



Servo Motor Control+Toroidal Transformer, Efficiency > 97%